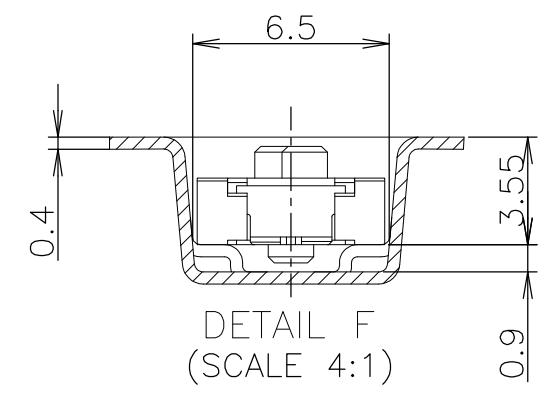
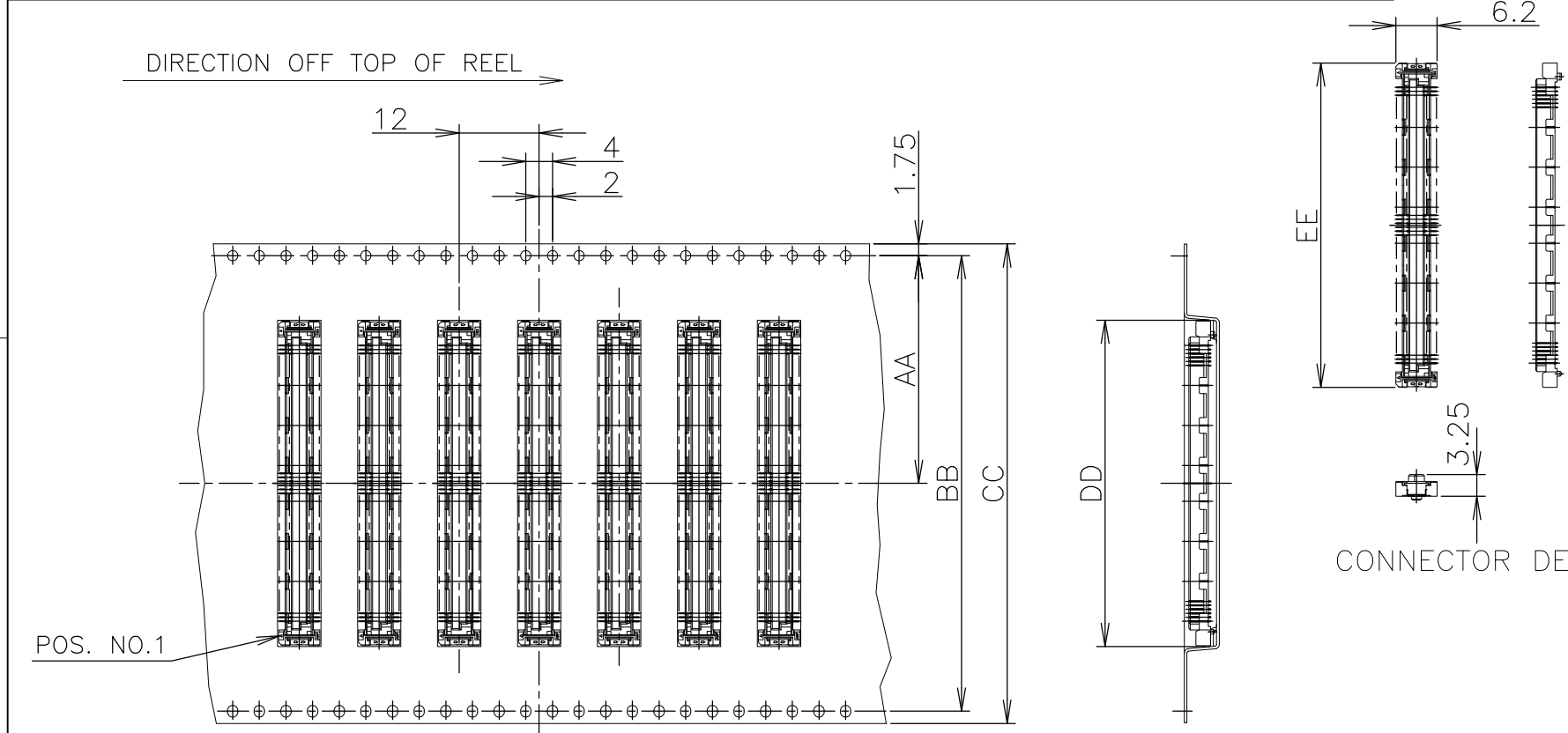


THIS DRAWING IS UNPUBLISHED. RELEASED FOR PUBLICATION JUN , 1996.  
 © COPYRIGHT 1996 BY TYCO ELECTRONICS CORPORATION. ALL RIGHTS RESERVED.

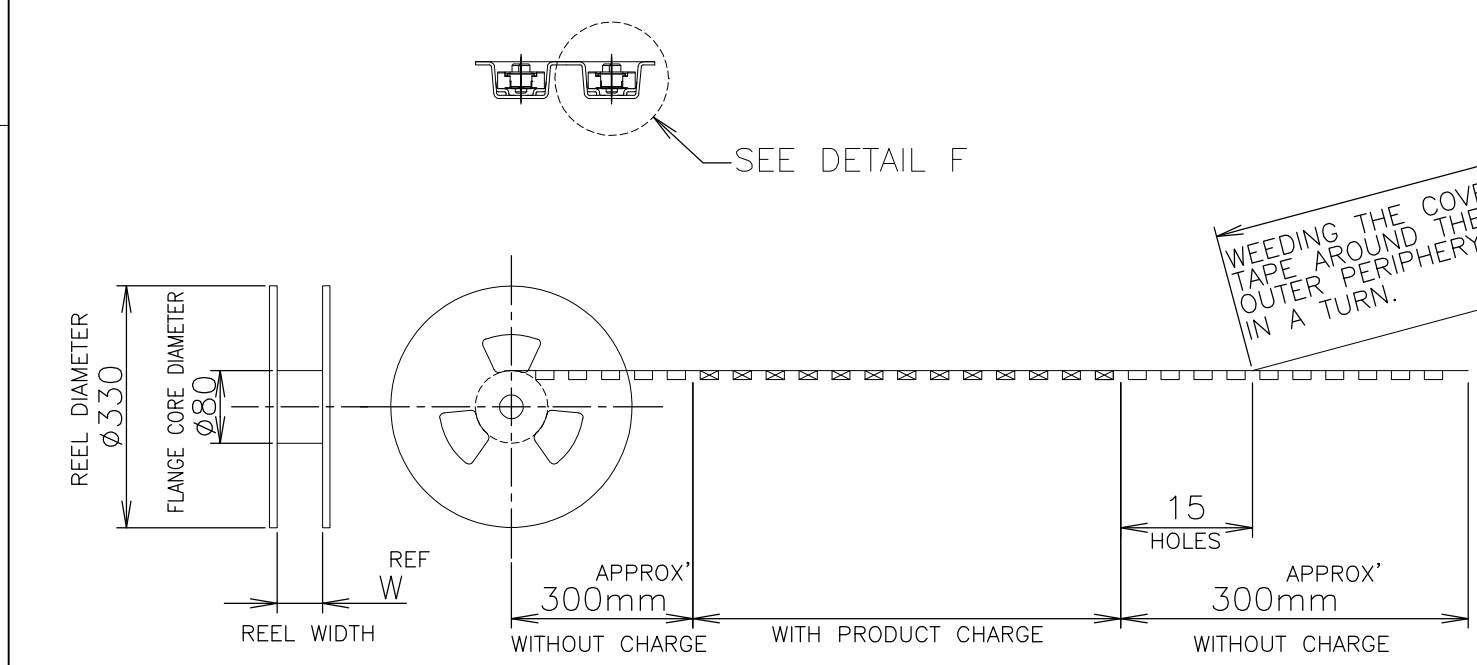
LOC	DIST	REVISIONS			DATE	DWN	APVD
J		P	LTR	DESCRIPTION			
		H		REVISED ECR-08-000333	01FEB08	T.T	T.F



CONNECTOR DETAIL

SEE DETAIL F

WEEDING THE COVER TAPE AROUND THE OUTER PERIPHERY IN A TURN.



SEALANT	TOOLING STATUS	QTY.	W	EE	DD	CC	BB	AA	POS.	PART NO.
▲		1000	77.5	54.7	55	72	68.4	34.2	160	6-353190-1
		▲	77.5	48.7	49	72	68.4	34.2	140	6- -0
			61.5	42.7	43	56	52.4	26.2	120	5- -9
			61.5	36.7	37	56	52.4	26.2	100	5- -8
			61.5	33.7	34	56	52.4	26.2	90	5- -7
			49.5	30.7	31	44	40.4	20.2	80	5- -6
			49.5	27.7	28	44	40.4	20.2	70	5- -5
			49.5	24.7	25	44	40.4	20.2	60	5- -4
			37.5	21.7	22	32	28.4	14.2	50	5- -3
			37.5	18.7	19	32	28.4	14.2	40	5- -2
		1000	29.5	15.7	16	24	11.5		30	5-353190-1
		1000	77.5	54.7	55	72	68.4	34.2	160	1-353190-1
		▲	77.5	48.7	49	72	68.4	34.2	140	1- -0
			61.5	42.7	43	56	52.4	26.2	120	-9
			61.5	36.7	37	56	52.4	26.2	100	-8
			61.5	33.7	34	56	52.4	26.2	90	-7
			49.5	30.7	31	44	40.4	20.2	80	-6
		▲	49.5	27.7	28	44	40.4	20.2	70	-5
			49.5	24.7	25	44	40.4	20.2	60	-4
			37.5	21.7	22	32	28.4	14.2	50	-3
		▲	37.5	18.7	19	32	28.4	14.2	40	-2
		1000	29.5	15.7	16	24	11.5		30	353190-1

THIS DRAWING IS A CONTROLLED DOCUMENT.

DWN T.KUSUHARA 06JUN96  
 CHK I.ENOMOTO 06JUN96  
 APVD Y.YOSHIMURA 06JUN96

Tyco Electronics Corporation  
 Kawasaki, Japan

EMBOSS ASSY  
 FH 0.6BTB CONNECTOR  
 REC 4H WITH G-CONTACT

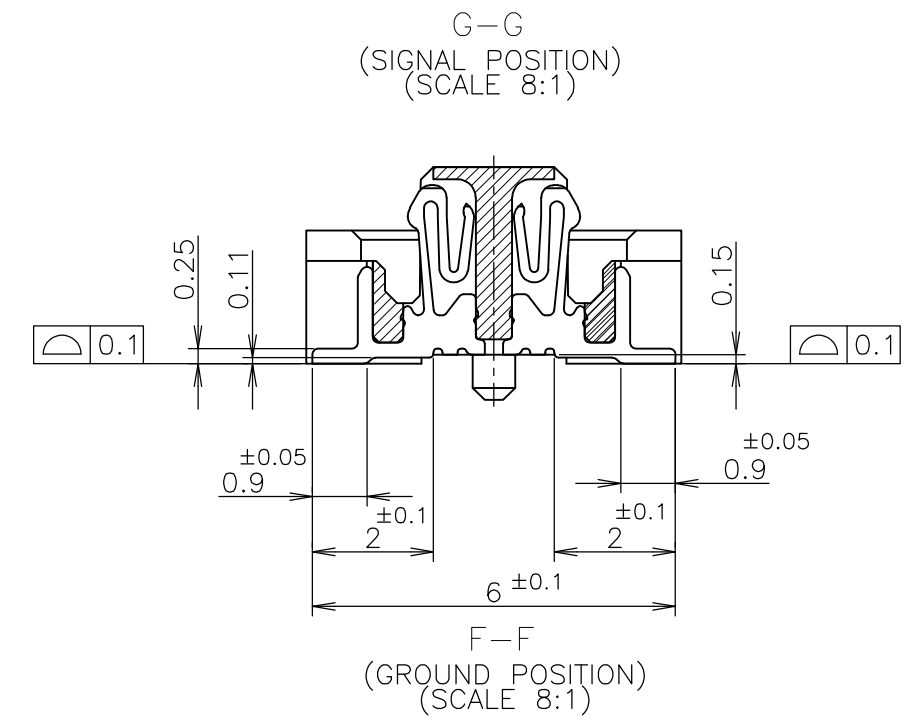
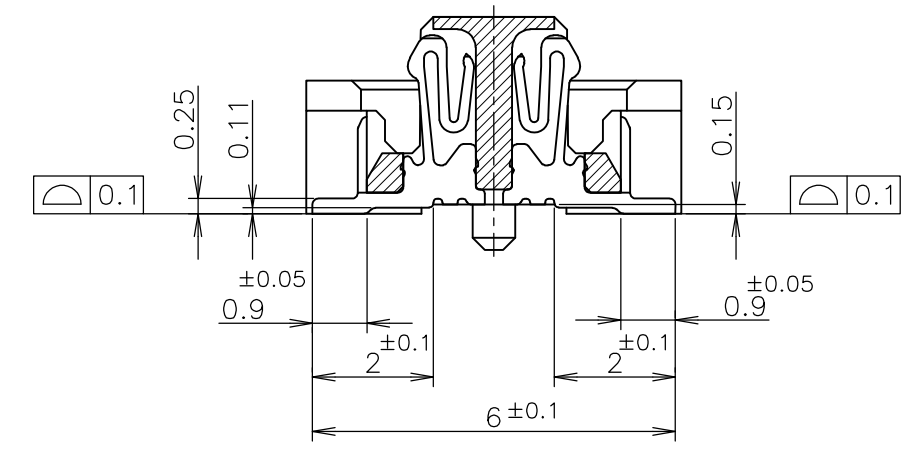
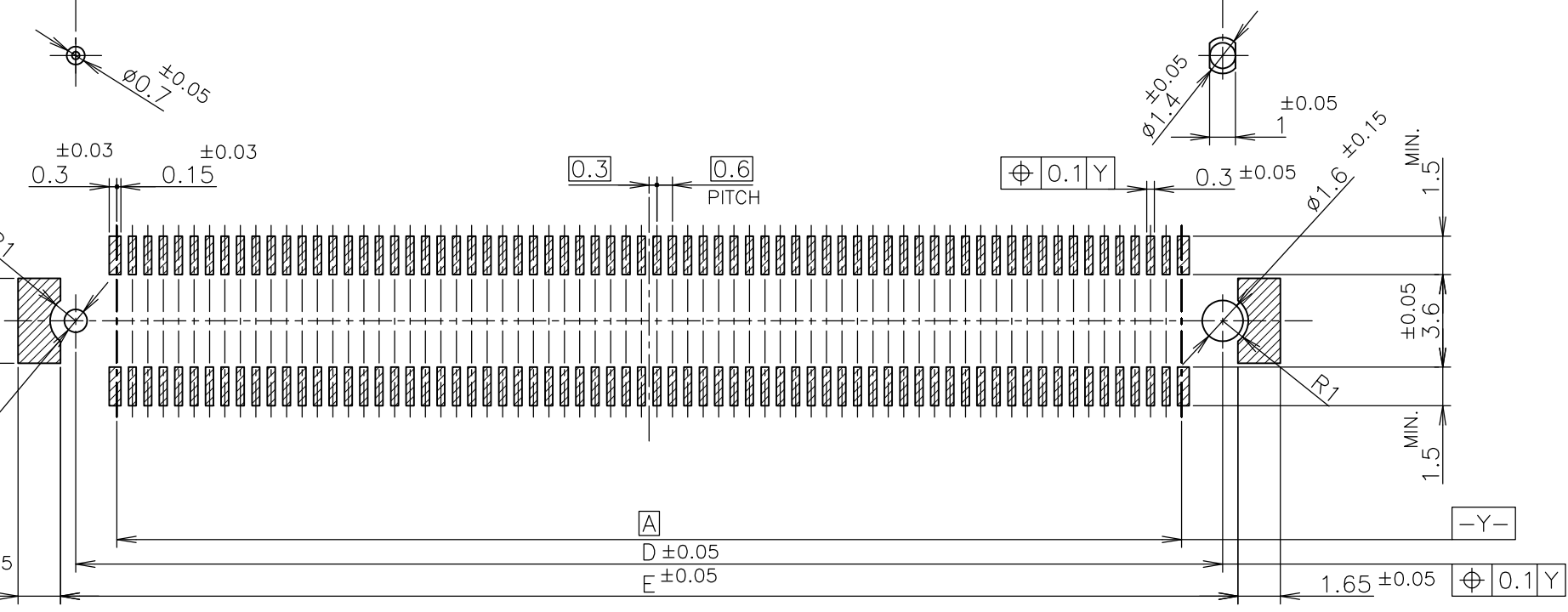
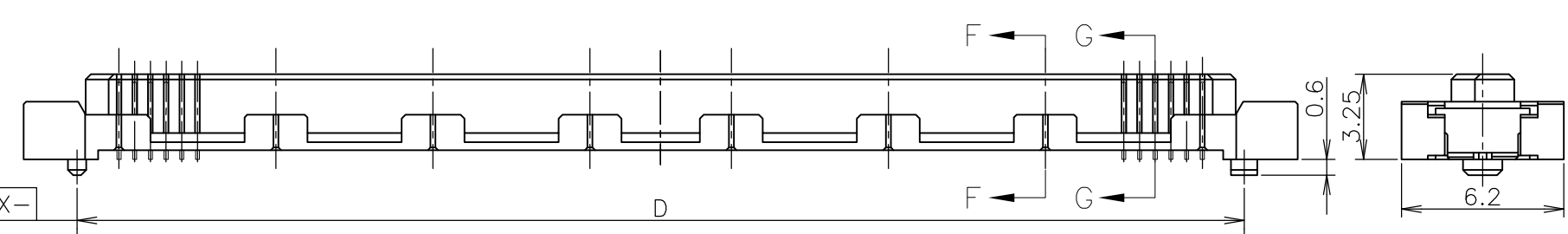
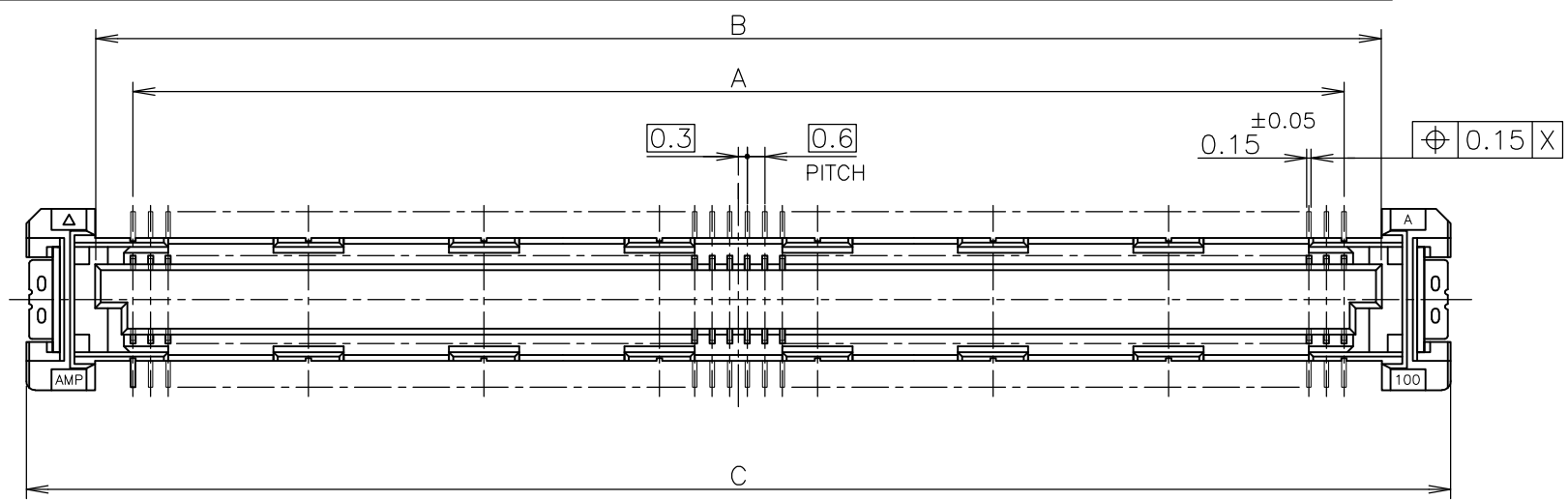
PRODUCT SPEC 108-5468  
 APPLICATION SPEC 取付適用規格

SIZE A3 CAGE CODE 00779 DRAWING NO G-353190 RESTRICTED TO 番号

MATERIAL 材料 FINISH 仕上 WEIGHT CUSTOMER DRAWING SCALE 1:1 SHEET 1 OF 3 REV H

THIS DRAWING IS UNPUBLISHED. RELEASED FOR PUBLICATION JUN , 1996.  
 © COPYRIGHT 1996 BY TYCO ELECTRONICS CORPORATION. ALL RIGHTS RESERVED.

LOC	DIST	REVISIONS			DATE	DWN	APVD
		P	LTR	DESCRIPTION			
J				SEE SHEET 1	-	-	-



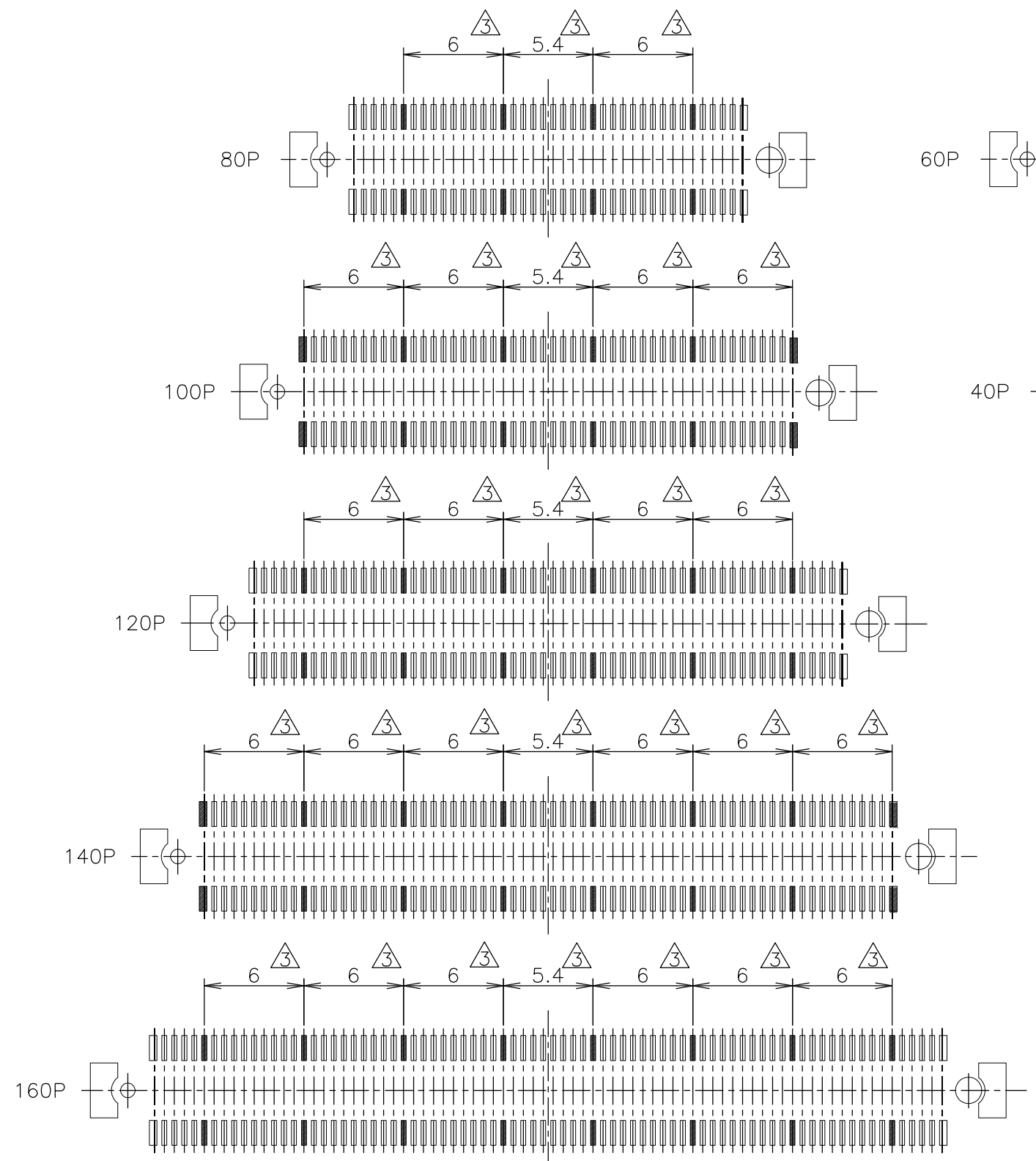
REFERENCE P.C.BOARD LAYOUT

AVAILABLE	51.8	50.6	54.7	50	47.4	160
AVAILABLE	45.8	44.6	48.7	44	41.4	140
NOT AVAILABLE	39.8	38.6	42.7	38	35.4	120
AVAILABLE	33.8	32.6	36.7	32	29.4	100
NOT AVAILABLE	30.8	29.6	33.7	29	26.4	90
AVAILABLE	27.8	26.6	30.7	26	23.4	80
	24.8	23.6	27.7	23	20.4	70
	21.8	20.6	24.7	20	17.4	60
	18.8	17.6	21.7	17	14.4	50
AVAILABLE	15.8	14.6	18.7	14	11.4	40
NOT AVAILABLE	12.8	11.6	15.7	11	8.4	30
TOOLING STATUS	E	D	C	B	A	POS

THIS DRAWING IS A CONTROLLED DOCUMENT.		DWN	Tyco Electronics Corporation Kawasaki, Japan	
DIMENSIONS: 単位: 耗 mm		CHK	NAME 名称	
TOLERANCES UNLESS OTHERWISE SPECIFIED: 一般公差		APVD	EMBOSS ASSY FH 0.6BTB CONNECTOR REC 4H WITH G-CONTACT	
0 PLC ± 0.3 1 PLC ± 0.3 2 PLC ± 0.3 3 PLC ± 0.3 4 PLC ± 0.3 ANGLES ± 3'		PRODUCT SPEC 製品規格	SIZE	CAGE CODE
MATERIAL 材料		APPLICATION SPEC 取付適用規格	A3	00779
FINISH 仕上		WEIGHT	DRAWING NO 番号	RESTRICTED TO
			G-353190	
		CUSTOMER DRAWING	SCALE 尺度 4:1	SHEET 2 OF 3
				REV H

THIS DRAWING IS UNPUBLISHED. RELEASED FOR PUBLICATION JUN , 1996.  
 © COPYRIGHT 1996 BY TYCO ELECTRONICS CORPORATION. ALL RIGHTS RESERVED.

LOC J	DIST /	REVISIONS 変更			DATE	DWN	APVD
P	LTR	DESCRIPTION					
		SEE SHEET 1					



- ① MATERIAL : HOUSING : HIGH TEMP THERMO PLASTIC, UL94V-0  
CONTACT : COPPER ALLOY
- ② FINISH : UNDER PL Ni 0.0013mm MIN ALL OVER.  
CONTACT AREA 0.0002mm MIN Au PL.  
SOLDERING AREA: SIGNAL POS 0.0005mm MIN Au PL.  
GROUND POS 0.001mm MIN Sn-Pb
- ③ THIS POSITION IS GROUND CIRCUIT.
- ④ THIS PRODUCT WAS COATED BY FLUX-PENETRATION  
-INHIDING AGENT.

THIS DRAWING IS A CONTROLLED DOCUMENT.		DWN	Tyco Electronics Corporation Kawasaki, Japan		
DIMENSIONS: 単位: 耗 mm		CHK	NAME 名称		
TOLERANCES UNLESS OTHERWISE SPECIFIED: 一般公差		APVD	EMBOSS ASSY FH 0.6BTB CONNECTOR REC 4H WITH G-CONTACT		
0 PLC ± 0.3 1 PLC ± 0.3 2 PLC ± 0.3 3 PLC ± 0.3 4 PLC ± 0.3 ANGLES ± 3'		PRODUCT SPEC 製品規格	SIZE	CAGE CODE	DRAWING NO 番号
MATERIAL 材料		APPLICATION SPEC 取付適用規格	A3	00779	G-353190
FINISH 仕上		WEIGHT	RESTRICTED TO		
CUSTOMER DRAWING			SCALE 尺度 3:1	SHEET 3 OF 3	REV H